



Owner's Manual

Congratulations on the purchase your new Losi product. Before installing your engine, please read these instructions to ensure reliable and trouble-free performance.

Using the Proper Fuel and Glow Plug

Using the proper fuel and glow plug is critical in order to achieve maximum performance and reliability. You must use fuel, glow plugs and air filters that are specifically designed for model car/truck/buggy applications. **Never use any type of model airplane glow fuel!** Use of model airplane fuel can damage your engine and immediately void any warranty.

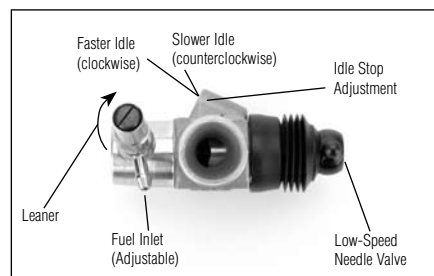
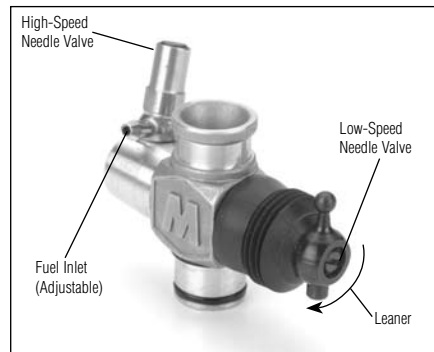
We recommend using Losi Nitrotane™ fuel, providing the best combination of power and fuel economy. Losi fuels are vigorously tested, researched and formulated to deliver excellent power as well as engine protection.

A glow plug has been included and is ideal for breaking in your new engine. In fact, during the break-in procedure, it is not uncommon to go through one or two glow plugs, as microscopic bits of metal (from the cylinder/piston wearing in) bond themselves to the plug element causing glow plug failure. We recommend the Dynamite McCoy MC59 Glow Plug (DYN2508) as the absolute best glow plug for this engine. The MC59 Plug has been designed to deliver an ideal balance of performance and longevity.

All car engines must use a properly oiled air filter to keep dirt out of the engine. Any dirt that enters the carburetor can immediately destroy your engine. We recommend LOSB5020 as an excellent choice for a quality air cleaner. Service the air filter after every hour of running, by washing out the foam filter with warm water. Dry the filter then re-apply air filter oil to the foam filter.

Carburetor Adjustments

Your Losi engine comes equipped with a precision slide-valve carburetor. Take a moment to review the pictures below to familiarize yourself with the various functions of the carb. Loosening the nut located on the side of the crankcase under the carburetor body will allow you to rotate the carburetor to properly fit your particular application. Make certain to mount the throttle arm to the side required by your particular vehicle. Although preset at the factory, some changes in the needle setting can occur during shipping and handling.



We suggest the following settings for breaking in your engine:

High-Speed Needle: 2 1/2 turns out (counterclockwise) from closed.

Low-Speed Needle: 2 1/2 turns out (counterclockwise) from closed.

When checking the adjustment of the low-speed needle, it is crucial that the throttle slide is closed completely when turning the needle and that you do not over-tighten the needle. Use an engine tuning screwdriver to make this job easier. When you feel resistance in the needle, immediately stop turning and begin turning the needles counterclockwise, counting the number of turns from "closed."

Starting Your Engine for the First Time

The first start of your engine is the most critical time of the engine's life, dictating how well it will perform. After installing the engine in your model and inserting the glow plug, turn on your radio system and attach a glow igniter to the glow plug. Place your finger over over the exhaust and turn the engine over with the starter for 2–3 seconds to prime the fuel line. (This should only be necessary when the engine is cold, **do not touch the exhaust pipe when the engine is warm.**) Should the engine become difficult for ospin start to turn over, the engine may be flooded (hydro-locked). Excess fuel between the cylinder head and piston will not allow the piston to travel through its full range of compression, effectively "locking up" the engine. Should this occur, immediately remove the glow igniter from the plug. Using a glow plug wrench (LOSB4603), remove the glow plug and turn the model upside down and rotate the flywheel to clear out the fuel, re-install the glow plug and start again.

You may need to "blip" the throttle on the transmitter (applying throttle on/off) while trying to start the engine, as new engines are more difficult to start due to the tight piston/cylinder fit.

We recommend using an spin starter or starter box for the initial starts, even with a pull-start equipped engine. You may need to "blip" the throttle on the transmitter (applying throttle on/off) while trying to start the engine, as new engines are more difficult to start due to the tight piston/cylinder fit.

Never start an engine above 1/4 throttle. Immediate damage to your engine can and will occur.

When the engine starts, the exhaust should emit lots of blue/white smoke, indicating that the engine is excessively rich (a good thing during break in). During the first tank of fuel, you may wish to set a higher than normal idle speed and/or leave the glow plug igniter attached in order to keep the engine from stalling. Drive your vehicle around while "blipping" the throttle and avoid operating the engine at full throttle for more than 2–3 seconds at a time. Consume the entire first two tanks of fuel in this manner. After the first two tanks of fuel, begin leaning out the high-speed needle valve 1/8 turn at a time. It generally takes about 5 or 6 tanks of fuel before you'd want to start tuning for "maximum" power.

Do not skip this process of breaking in a new engine! Should you choose not to follow these procedures, you risk damaging your engine during the first tank of fuel.

Your patience during these procedures will be rewarded by an engine that performs reliably and to its maximum power potential. First run attempts can be more frustrating than with other (less powerful) sport engines, so take your time—it will be worth the wait. Glow plug failure is a common occurrence when breaking in a new engine. To test your plug, let the engine idle at a properly adjusted low-speed needle setting with the glow igniter attached. Then, remove the igniter. If you hear no appreciable change in engine rpm, the plug is still good. If the engine loads up and the rpm's decrease, it's time to replace the glow plug.

Setting the Needle Valves

When tuning the needle valves for maximum performance, adjust them in small increments, 1/16 turn at a time.

An engine should not be run too lean; doing so severely shortens the life of the engine. When an engine is set too lean, it will run very strong at first but will soon begin to sag and hesitate or stall when accelerating.

The best way to tune an engine is by using an infrared temperature gauge, but you can also use water to check the head temperature (refer to "Tuning the High-Speed Needle").

Tuning the High-Speed Needle

To obtain the correct high-speed needle setting, start the engine and drive your vehicle around for a minute or two, applying full throttle frequently. Place a drop of water on the cylinder head. If the water sizzles away (evaporates immediately), the needle setting is too lean. A correct needle setting will result in the water evaporating after 3–5 seconds. If the water does not evaporate, chances are good that the needle setting is too rich. Lean the needle 1/16 of a turn and run the engine again, adjusting the needle setting to get the desired evaporation time.

Check the temperature each time you change the needle mixture. Do not let the engine overheat, as this will damage the engine.

Tuning the Low-Speed Needle

The low-speed needle (also referred to as the idle mixture or idle needle) should be set after you're satisfied with the high-speed needle setting. After achieving the proper operating temperature, reduce the engine throttle to idle and pinch the fuel line with your fingers close to the carb fuel inlet nipple. If the engine dies immediately, the low-speed needle is set too lean. If the rpm's increase dramatically, the setting is too rich. The ideal setting results in the rpm's increasing just a slight amount after pinching the fuel line.

Idle Stop Adjustment

The last setting to be made is the idle stop screw. Turning this screw clockwise increases the idle speed, whereas turning the screw counterclockwise will make the engine idle at a lower speed. Ideally, the engine should idle just fast enough to be reliable in acceleration and transition from idle to full speed. Avoid an idle speed that is too fast, as it will cause damage to your clutch.

After Operating Your Engine

Periodic maintenance must be performed in order to keep your engine in proper operating condition. After each day of running, it's critical to use high quality after-run oil to protect the internals of the engine and help prevent corrosion. (This is not necessary when using Losi fuels.) The methanol used in the fuel attracts moisture that can cause corrosion (particularly in the ball bearings). Follow these steps after running your engine:

- 1) Empty all fuel from the tank and fuel lines.
- 2) Remove the glow plug and air filter and add 5 to 6 drops of a quality after-run oil into the carburetor and cylinder head openings. Turn the engine over a few times to distribute the oil throughout the engine.
- 3) Clean and inspect the engine, air cleaner and fuel system.

Troubleshooting Guide

<u>Problem</u>	<u>Possible Cause/Solution</u>
Engine won't start	<ul style="list-style-type: none">• Clogged fuel line• Bad or improper glow plug• Glow igniter not charged• Bad or old fuel• Glow plug is bad
Engine starts, then dies	<ul style="list-style-type: none">• Engine flooded• Pressure line blocked or disconnected• Bad glow plug
Engine starts and runs for 1/2 tank, then quits	<ul style="list-style-type: none">• High-speed needle too lean• Hole or tear in fuel line• Bad glow plug or idle speed set too low• Overheated engine (too lean)• Improper needle settings

Warranty

Limited Warranty Period

Horizon Hobby, Inc. guarantees this product to be free from defects in both material and workmanship at the date of purchase.

Limited Warranty & Limits of Liability

Pursuant to this Limited Warranty, Horizon Hobby, Inc. will, at its option, (i) repair or (ii) replace, any product determined by Horizon Hobby, Inc. to be defective.

In the event of a defect, these are your exclusive remedies.

This warranty does not cover cosmetic damage or damage due to acts of God, accident, misuse, abuse, negligence, commercial use, or modification of or to any part of the product. This warranty does not cover damage due to improper installation, operation, maintenance, or attempted repair by anyone other than an authorized Horizon Hobby, Inc. service center. This warranty is limited to the original purchaser and is not transferable. In no case shall Horizon Hobby's liability exceed the original cost of the purchased product and will not cover consequential, incidental or collateral damage. Horizon Hobby, Inc. reserves the right to inspect any and all equipment involved in a warranty claim. Repair or replacement decisions are at the sole discretion of Horizon Hobby, Inc. Further, Horizon Hobby reserves the right to change or modify this warranty without notice.

REPAIR OR REPLACEMENT AS PROVIDED UNDER THIS WARRANTY IS THE EXCLUSIVE REMEDY OF THE CONSUMER. HORIZON HOBBY, INC. SHALL NOT BE LIABLE FOR ANY INCIDENTAL OR CONSEQUENTIAL DAMAGES.

As Horizon Hobby, Inc. has no control over use, setup, final assembly, modification or misuse, no liability shall be assumed nor accepted for any resulting damage or injury. By the act of use, setup or assembly, the user accepts all resulting liability.

If you as the purchaser or user are not prepared to accept the liability associated with the use of this product, you are advised to return this product immediately in new and unused condition to the place of purchase.

Safety Precautions

This is a sophisticated hobby product and not a toy. It must be operated with caution and common sense and requires some basic mechanical ability. Failure to operate this product in a safe and responsible manner could result in injury or damage to the product or other property. **This product is not intended for use by children without direct adult supervision.**

The product manual contains instructions for safety, operation and maintenance. It is essential to read and follow all the instructions and warnings in the manual, prior to assembly, setup or use, in order to operate correctly and avoid damage or injury.

Questions, Assistance, and Repairs

Your local hobby store and/or place of purchase cannot provide warranty support or repair. Once assembly, setup or use of the product has been started, you must contact Horizon Hobby, Inc. directly. This will enable Horizon to better answer your questions and service you in the event that you may need any assistance.

Questions or Assistance

For questions or assistance, please direct your email to productsupport@horizonhobby.com, or call 877.504.0233 toll free to speak to a service technician.

Inspection or Repairs

If your product needs to be inspected or repaired, please call for a Return Merchandise Authorization (RMA). Pack the product securely using a shipping carton. Please note that original boxes may be included, but are not designed to withstand the rigors of shipping without additional protection. Ship via a carrier that provides tracking and insurance for lost or damaged parcels, as Horizon Hobby, Inc. is not responsible for merchandise until it arrives and is accepted at our facility. Include your complete name, address, phone number where you can be reached during business days, RMA number, and a brief summary of the problem. Be sure your name, address, and RMA number are clearly written on the shipping carton.

Warranty Inspection and Repairs

To receive warranty service, you must include your original sales receipt verifying the proof-of-purchase date. Providing warranty conditions have been met, your product will be repaired or replaced free of charge. Repair or replacement decisions are at the sole discretion of Horizon Hobby.

Non-Warranty Repairs

Should your repair not be covered by warranty and the expense exceeds 50% of the retail purchase cost, you will be provided with an estimate advising you of your options. You will be billed for any return freight for non-warranty repairs. Please advise us of your preferred method of payment. Horizon Hobby accepts money orders and cashiers checks, as well as Visa, MasterCard, American Express, and Discover cards. If you choose to pay by credit card, please include your credit card number and expiration date. Any repair left unpaid or unclaimed after 90 days will be considered abandoned and will be disposed of accordingly.

Electronics and engines requiring inspection or repair should be shipped to the following address (freight prepaid):

Horizon Service Center
4105 Fieldstone Road
Champaign, Illinois 61822

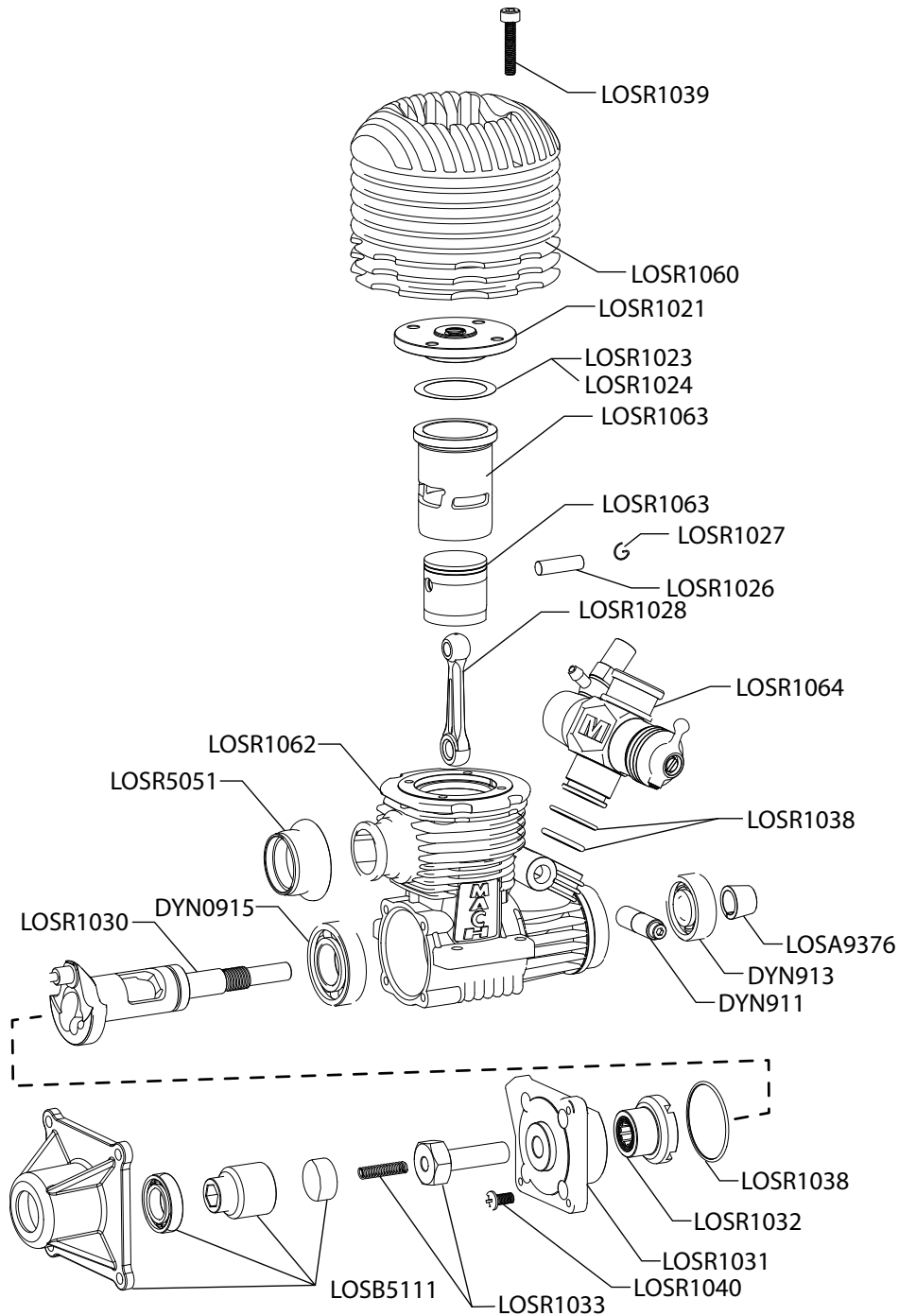
All other products requiring inspection or repair should be shipped to the following address (freight prepaid):

Horizon Product Support
4105 Fieldstone Road
Champaign, Illinois 61822

© 2007 Horizon Hobby, Inc.

Losi engines are manufactured in Taiwan and distributed worldwide by:

Horizon Hobby, Inc.
4105 Fieldstone Rd.
Champaign, IL 61822
Customer support
1-877-504-0233
www.horizonhobby.com
www.losi.com



Engine Components

LOSA9376	Flywheel Collet w/Shims.....	\$3.00
LOSB5051	Exhaust Header Seals & Springs.....	\$6.00
LOSB5111	Spin Start Backplate	\$6.00
LOSR1002	TL427 Engine w/ "Spin-Start" Backplate	\$209.98
LOSR1021	Head Button: M26SS	\$9.00
LOSR1023	Head Shims, .1mm (2): M26SS.....	\$2.00
LOSR1024	Head Shims, .2mm (2): M26SS.....	\$2.00
LOSR1026	Wrist Pin: M26SS.....	\$4.00
LOSR1027	Wrist Pin Clips (2): M26SS.....	\$2.00
LOSR1028	Connecting Rod: M26SS.....	\$35.99
LOSR1030	Crankshaft (w/PS)SC: M26SS.....	\$59.99
LOSR1031	Backplate: PS: M26SS.....	\$6.00
LOSR1032	PS One-Way Bearing: M26SS.....	\$14.00
LOSR1033	PS Shaft: M26SS.....	\$2.50
LOSR1038	O-Ring Set: M26SS.....	\$7.00
LOSR1039	Head Screw (4): M26SS.....	\$2.00
LOSR1040	PS Screw Set: M26SS.....	\$3.00
LOSR1060	Cylinder Head, Grey: TL427	\$49.99
LOSR1062	Crankcase: TL427.....	\$71.99
LOSR1063	Piston/Sleeve: TL427.....	\$49.99
LOSR1064	Slide Valve Carb, 8.5mm: TL427.....	\$46.99
DYN0911	Carb Ret Post Set	\$5.99
DYN0913	Front Bearing.....	\$9.49
DYN0915	Rear Bearing.....	\$19.99

Spin Start

LOSB5100	Spin-Start Hand Held Starter	\$49.99
LOSB5102	Spin-Start Motor & Battery Leads	\$16.99
LOSB5103	Spin-Start Mechanics.....	\$22.99
LOSB5105	Spin-Start Hand Strap & Pin	\$5.00
LOSB5106	Spin-Start Case & Switch Set.....	\$8.00
LOSB5109	Spin-Start Hex Drive Rod (long).....	\$5.00
LOSB5111	Spin-Start .21-.26 Backplate.....	\$6.00